

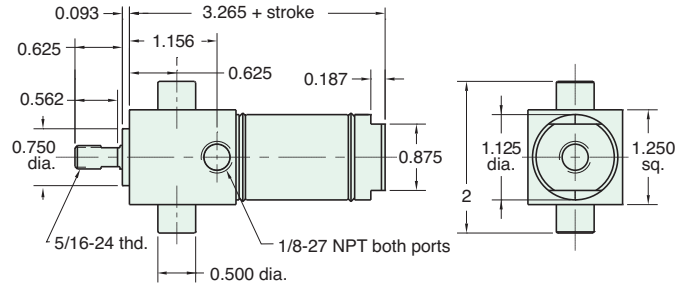
1 1/16" BORE STAINLESS STEEL CYLINDER



TDR-17-□-□

Mount: Trunnion **Standard Stroke Lengths:** 1/2", 1", 1-1/2", 2", 3", 4", 5", 6"
Type: Rotating Rod **Maximum Stroke:** 42"
Options: M, B, W, V, N, S, P6, P7, P8 For S option add 0.250

Double Acting



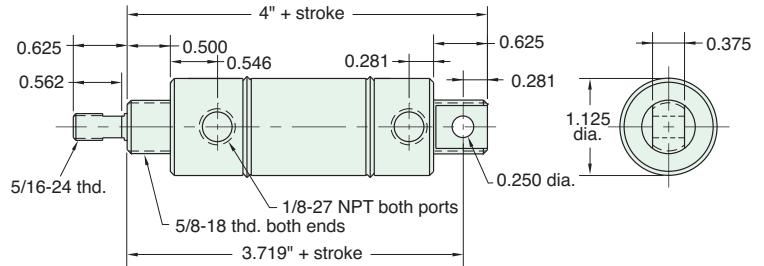
UDR-17-□-□

Mount: Universal **Standard Stroke Lengths:** 1/2", 1", 1-1/2", 2", 3", 4", 5", 6", 8", 10", 12"
Type: Rotating Rod **Maximum Stroke:** 41"
Options: C, F, R, M, B, W, V, N, P2, P3, P4, P5, P6, P7, P8 For CM, FM and RM add 0.312

Double Acting



NEW! All Stainless Steel line now available!
 See [pages 66 - 70](#)

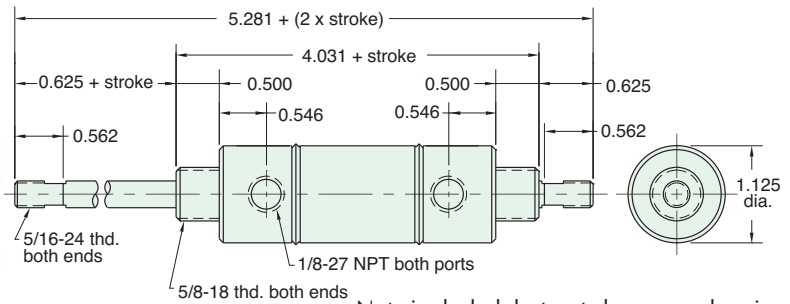


Furnished without nut(s). See Chart on Page 39.

SDD-17-□-□

Mount: Stud **Standard Stroke Lengths:** 1", 2", 3", 4", 5", 6"
Type: Double Rod **Maximum Stroke:** 20"
Options: C, F, M, B, W, V, N, P6, P7, P8 For CM, FM and RM add 0.312

Double Acting

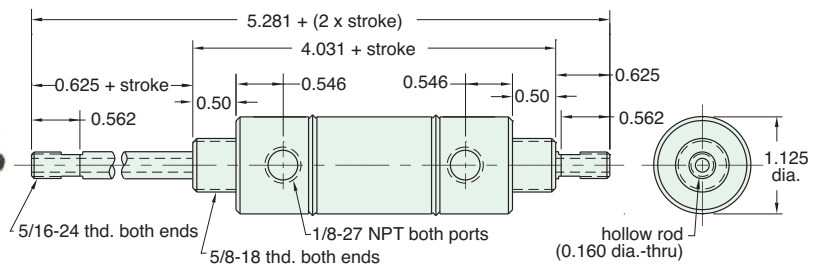


Nuts included, but not shown on drawing

SDH-17-□-□

Mount: Stud **Standard Stroke Lengths:** 1", 2", 3", 4", 5", 6"
Type: Hollow Rod **Maximum Stroke:** 20"
Options: C, F, R, M, B, W, V, N, P6, P7, P8

Double Acting



Nuts included, but not shown on drawing